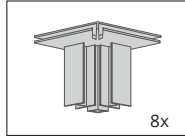
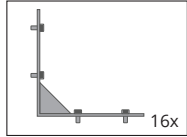
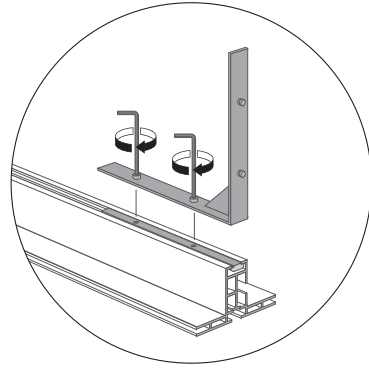
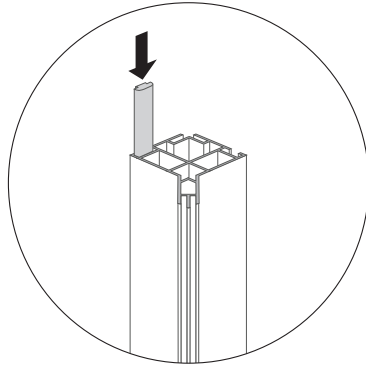
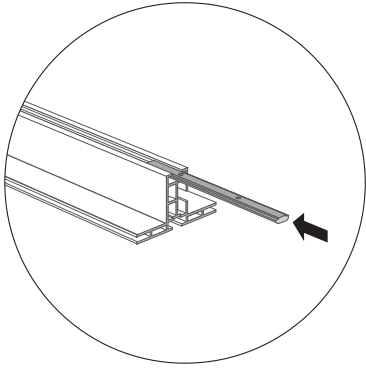


1

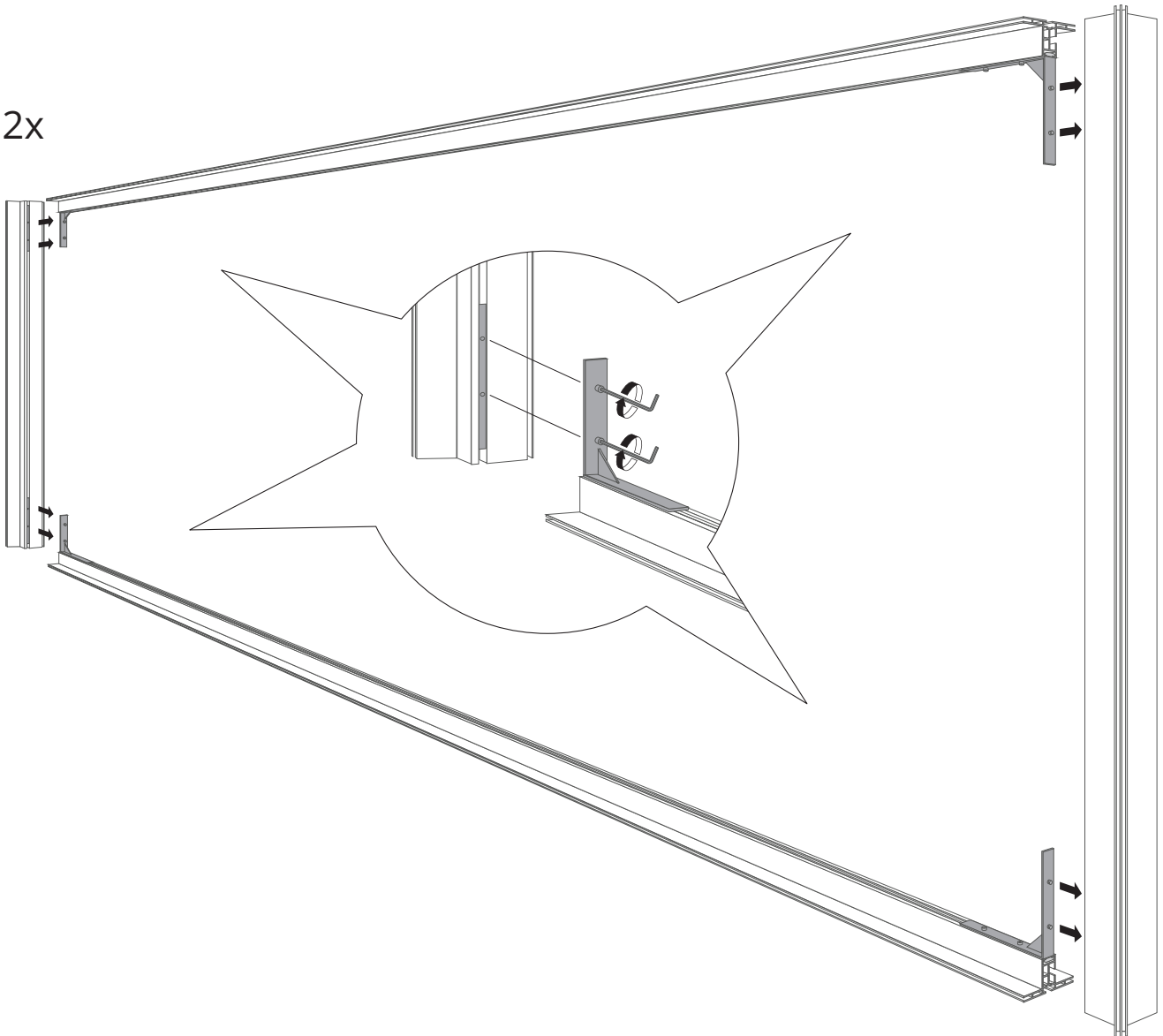


# O-FORMATION CARRÉ 80

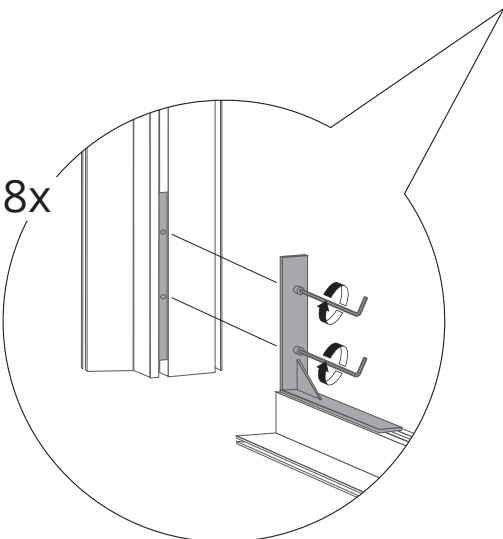
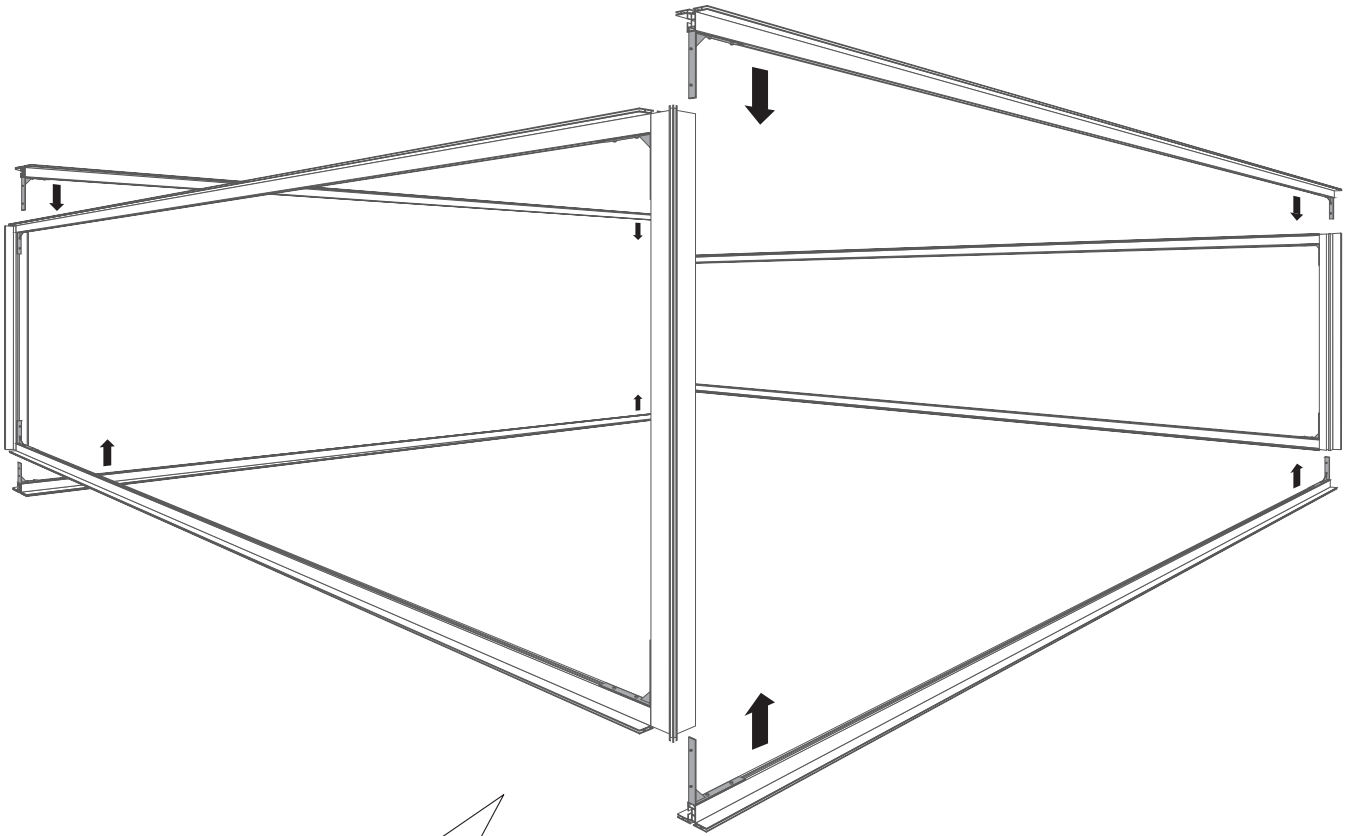
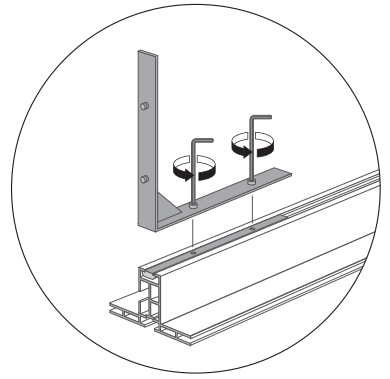
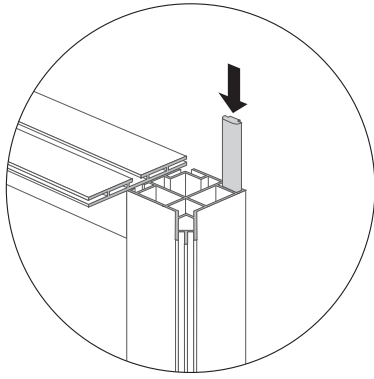
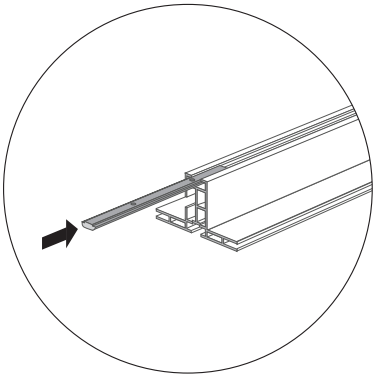
## INSTALLING THE CORNERS



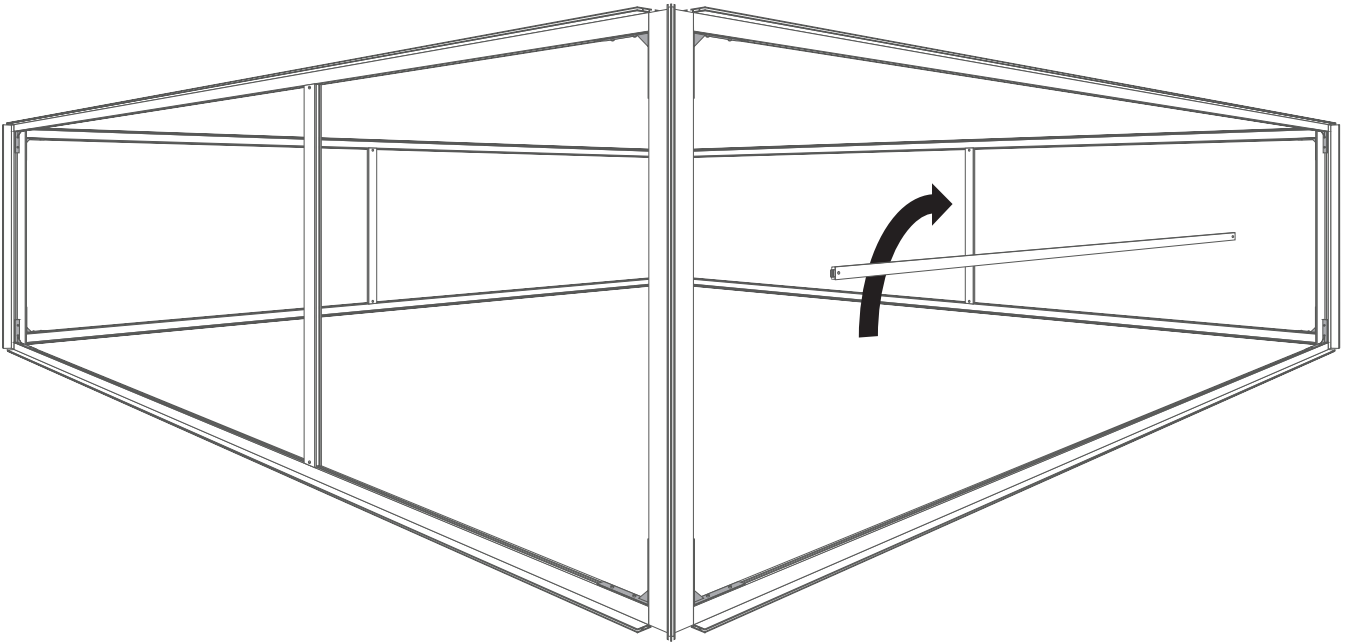
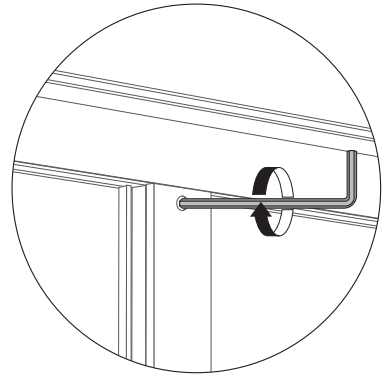
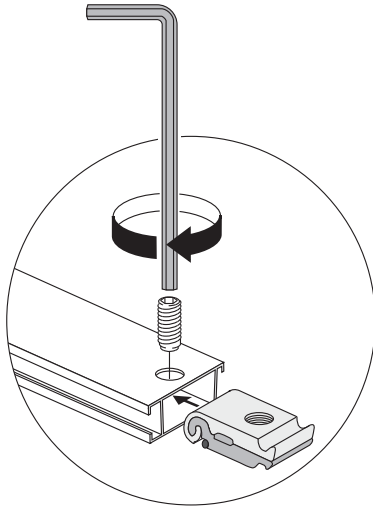
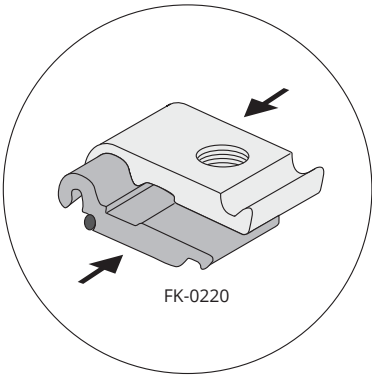
2x



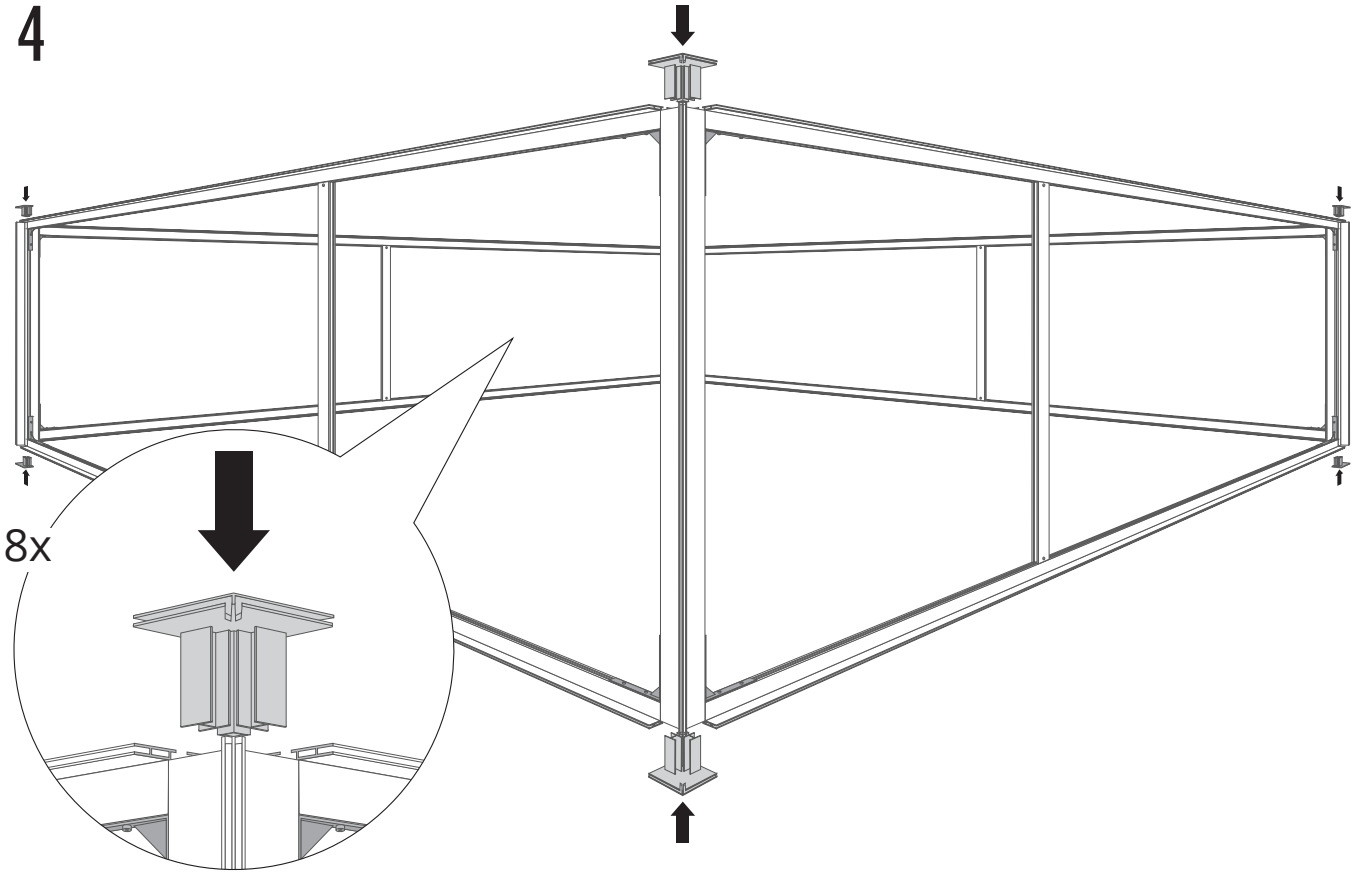
2



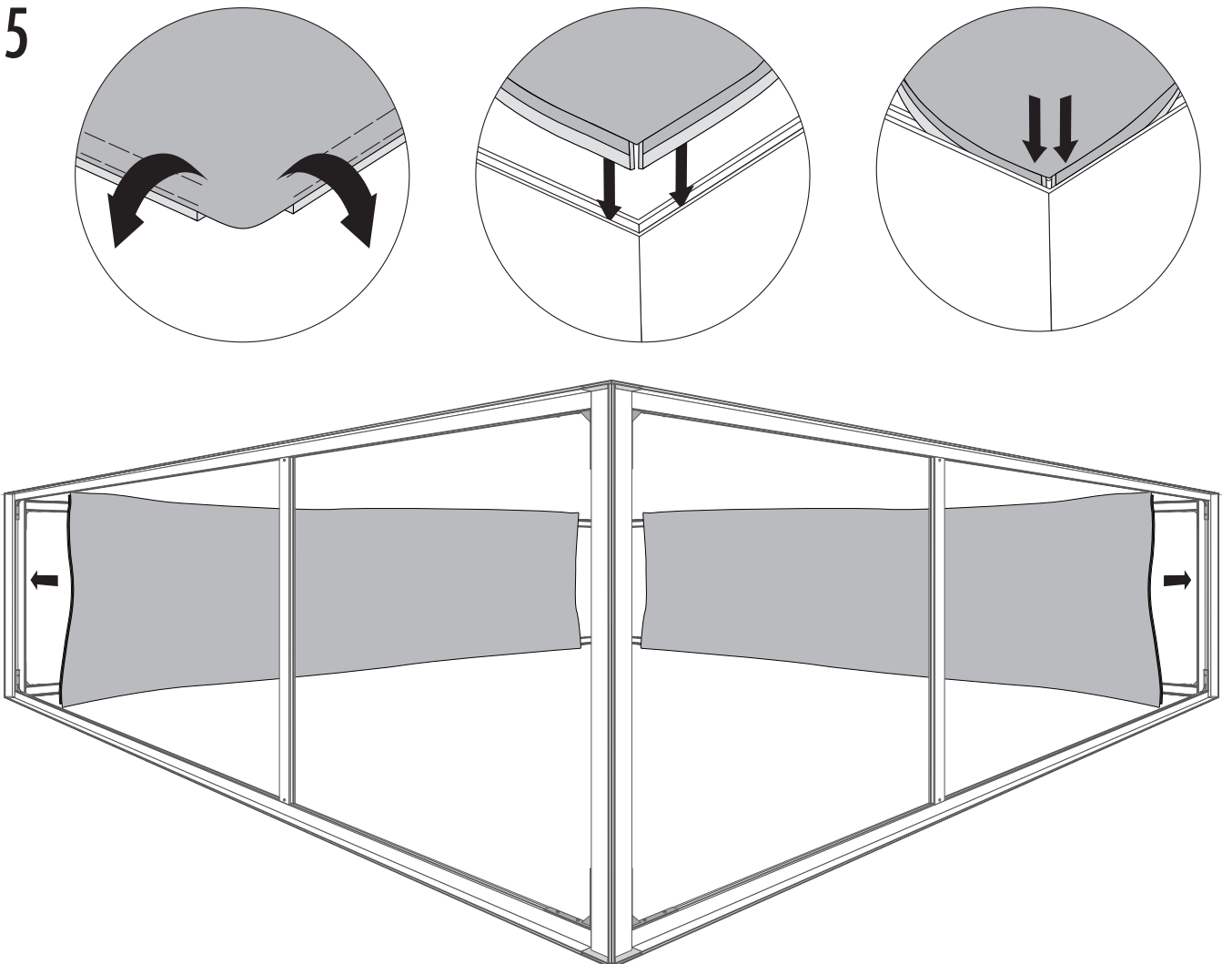
3



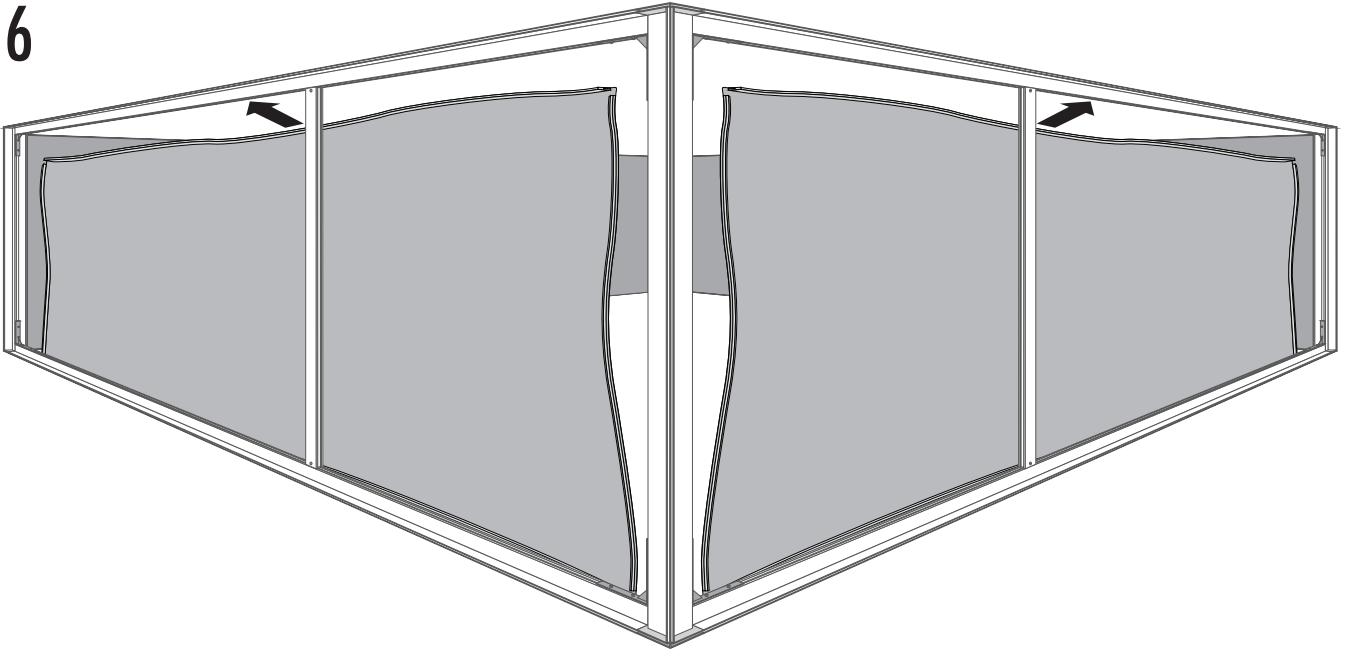
4



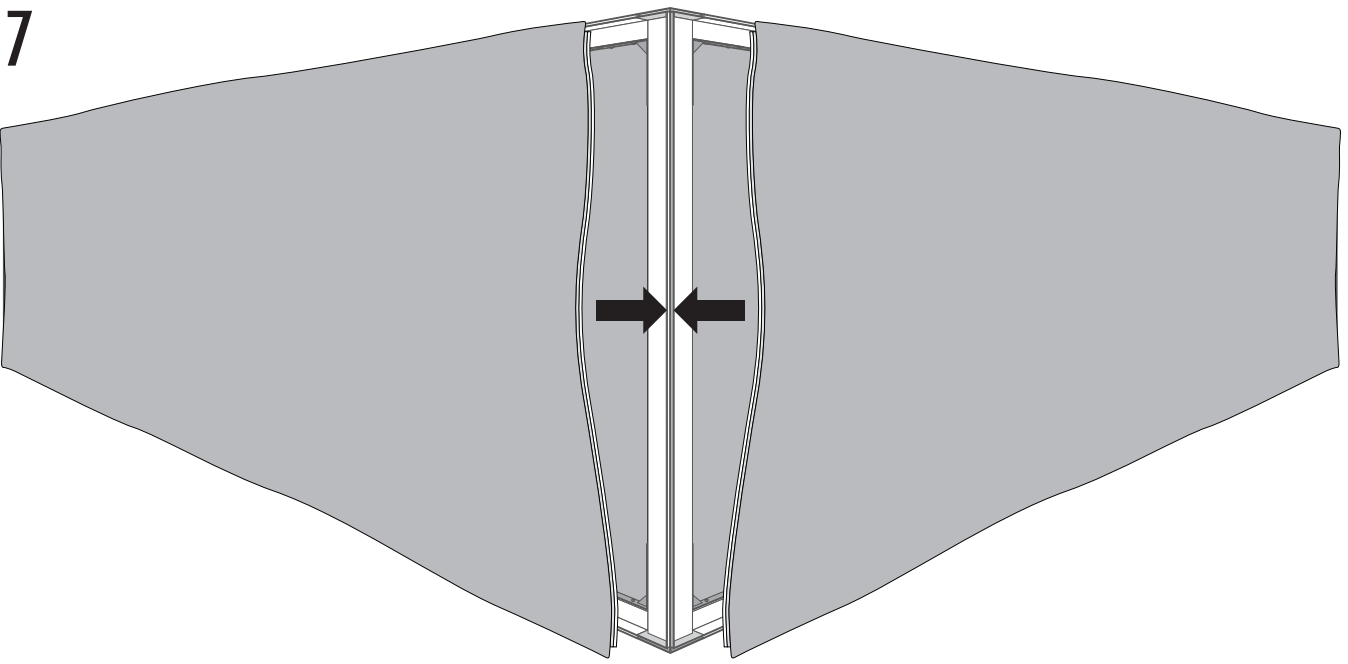
5



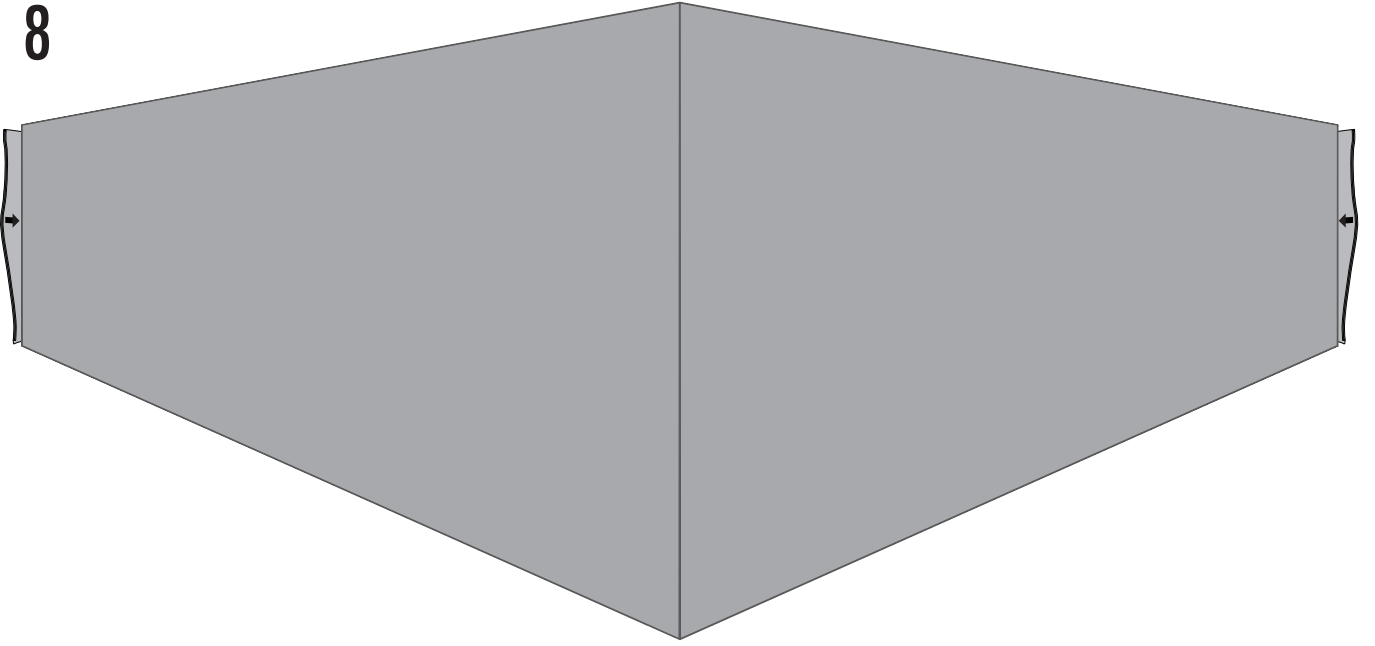
6



7



8



9

