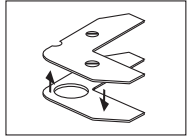
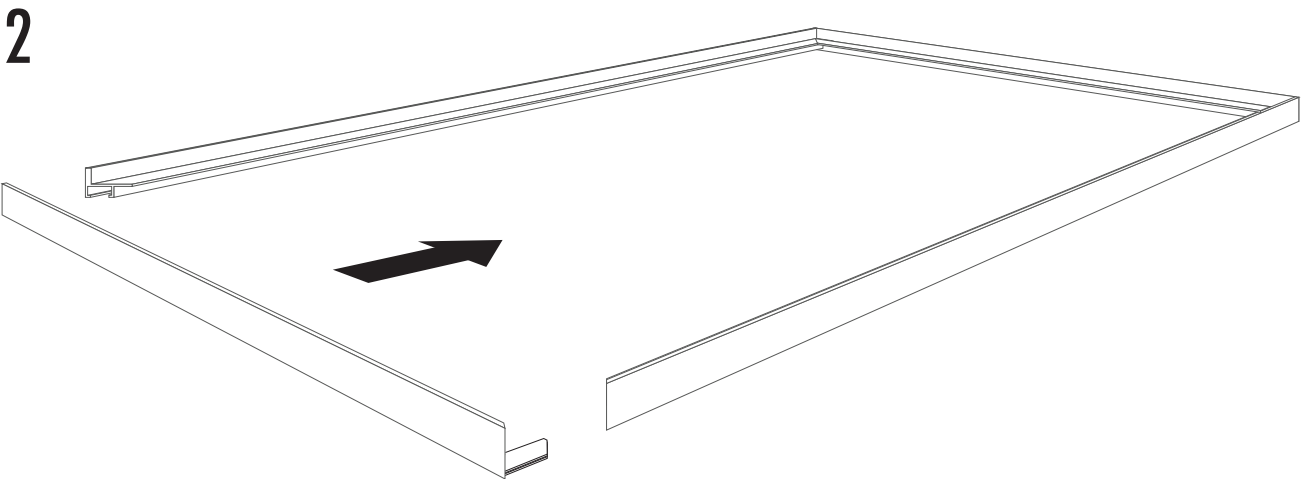
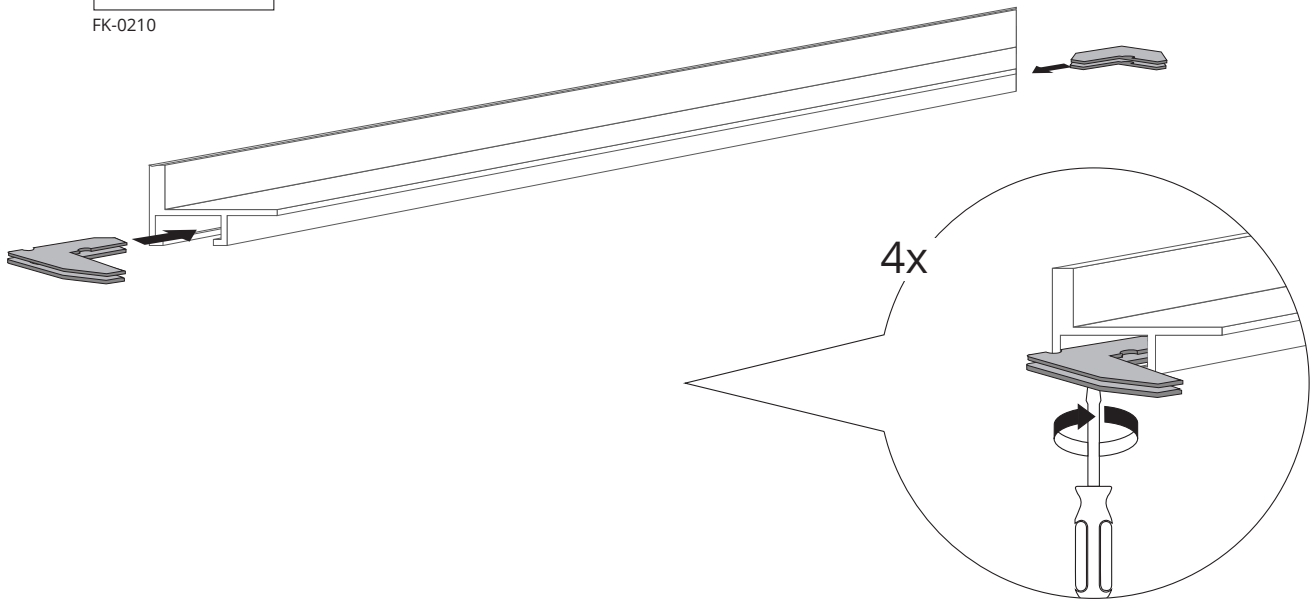


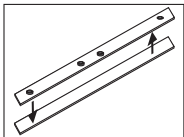
1 L-SHAPE 17,8



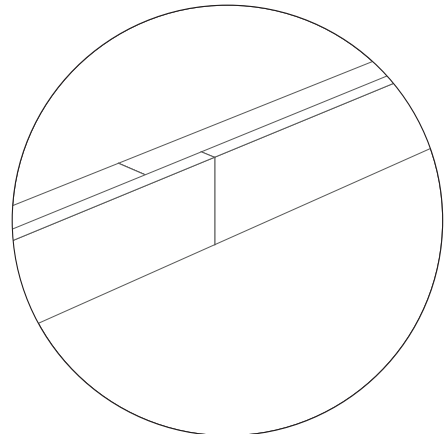
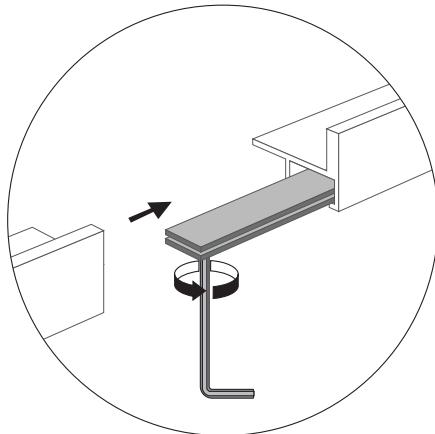
FK-0210



OPTION FOR EXTENSION

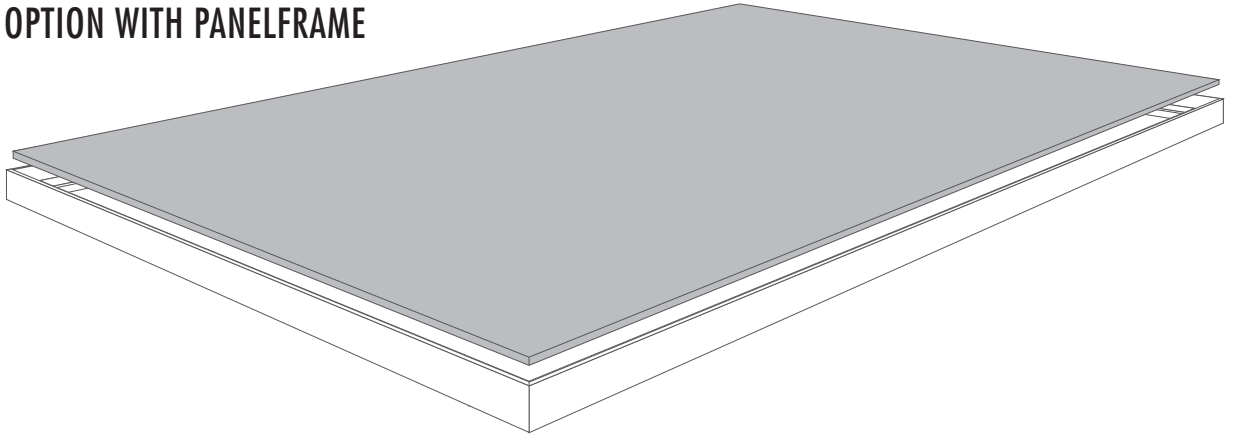


FK-0510

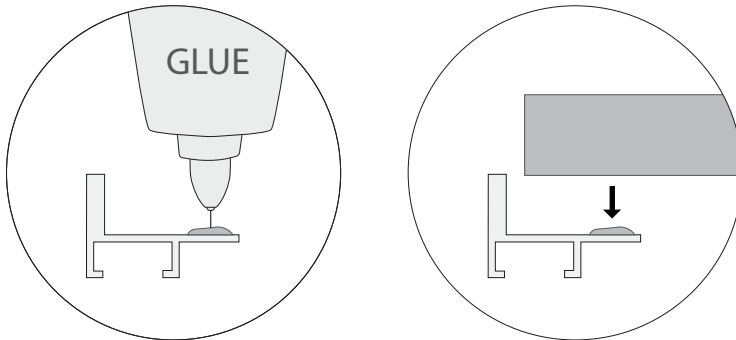


3

OPTION WITH PANELFRAME



OPTION 1 WITH GLUE



OPTION 2 WITH DOUBLE-SIDED TAPE

