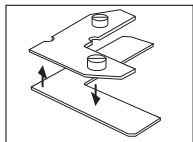
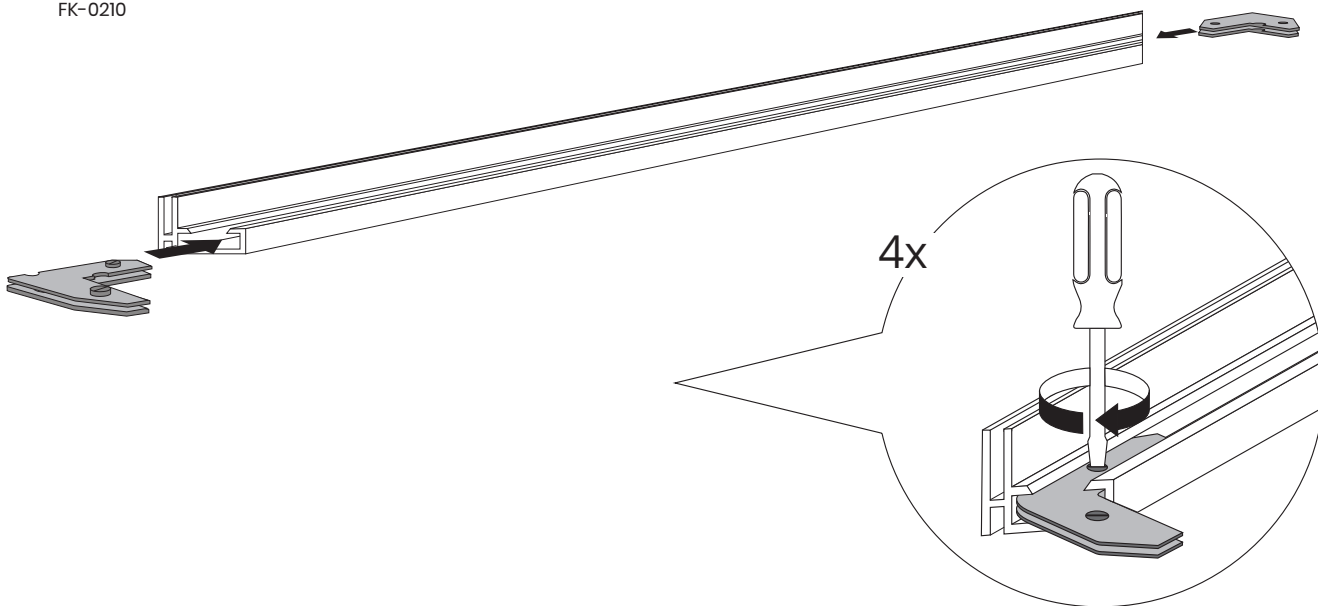


1

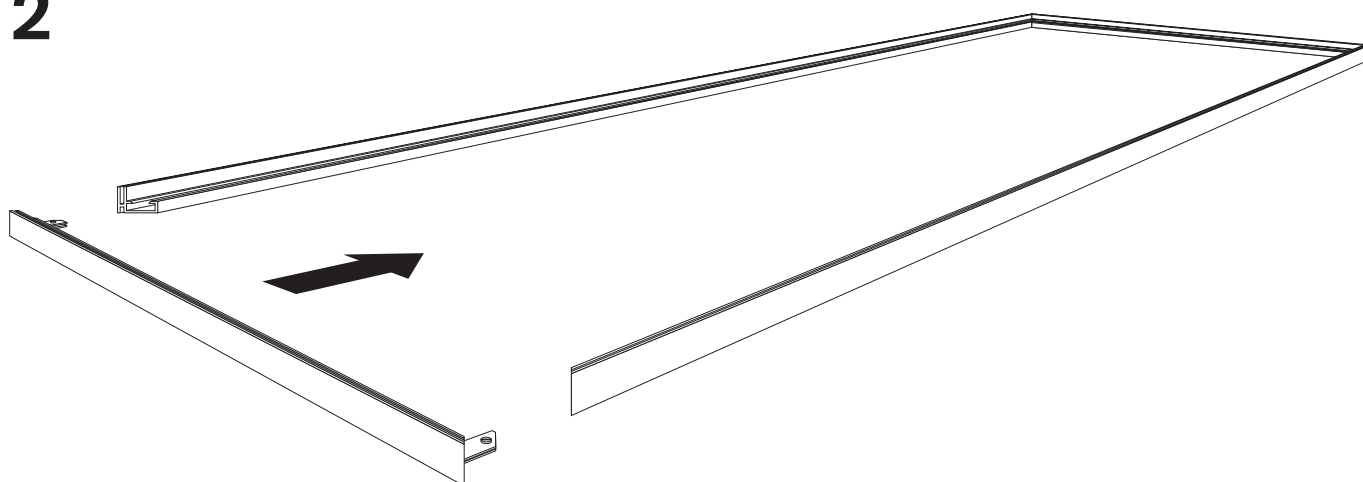


FK-0210

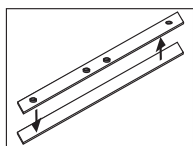
SIMPLE 19



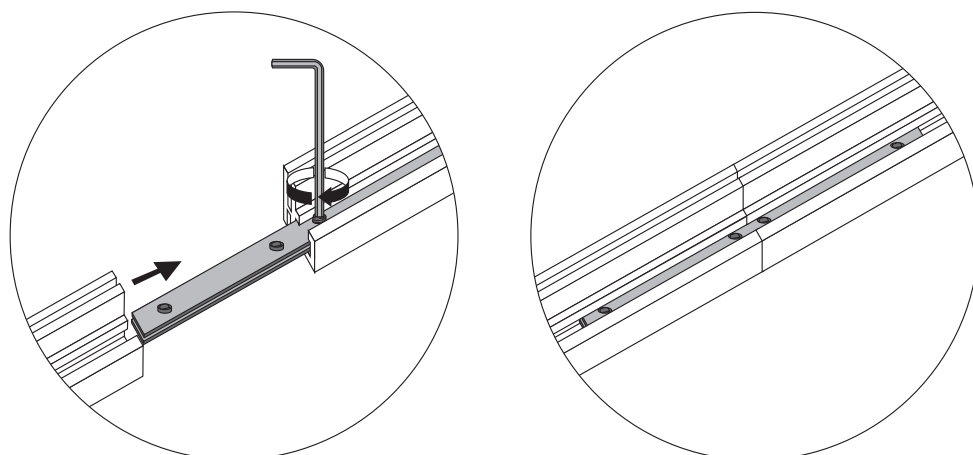
2



OPTION FOR EXTENSION

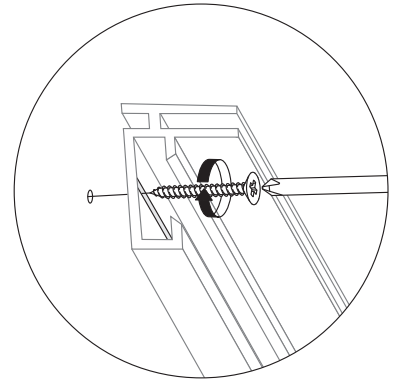
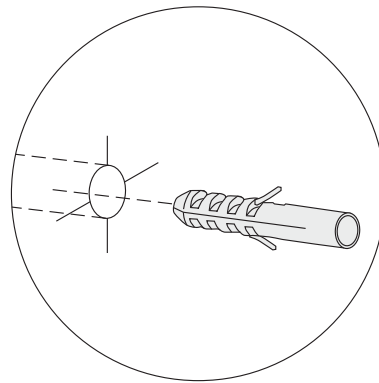
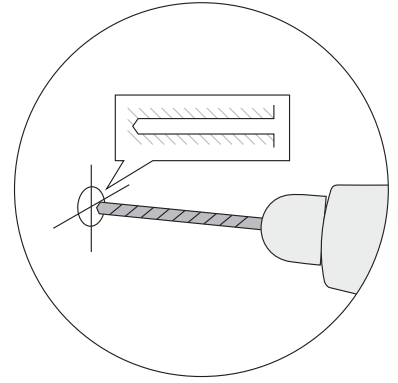
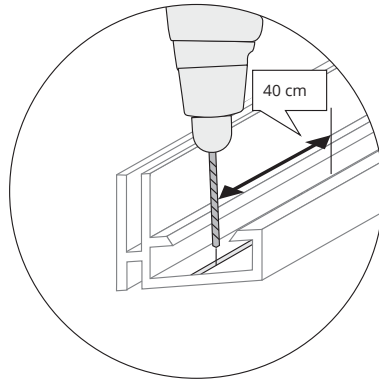
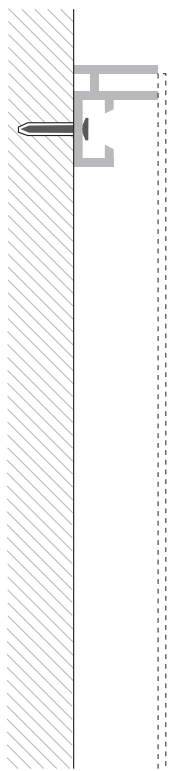


FK-0510



3

DRILLING



4

