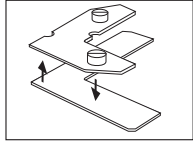
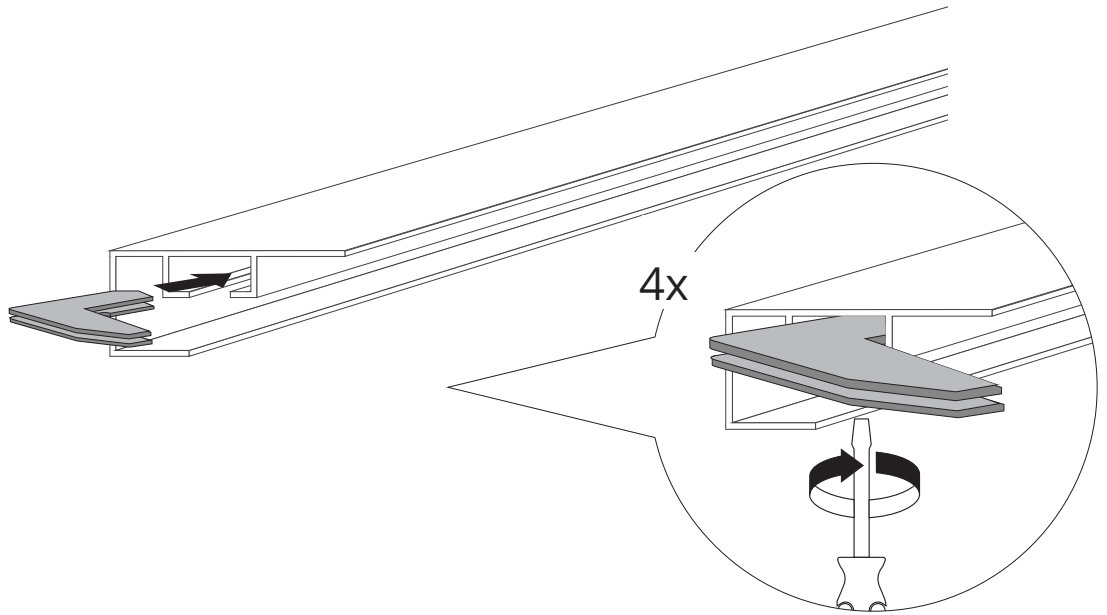


1

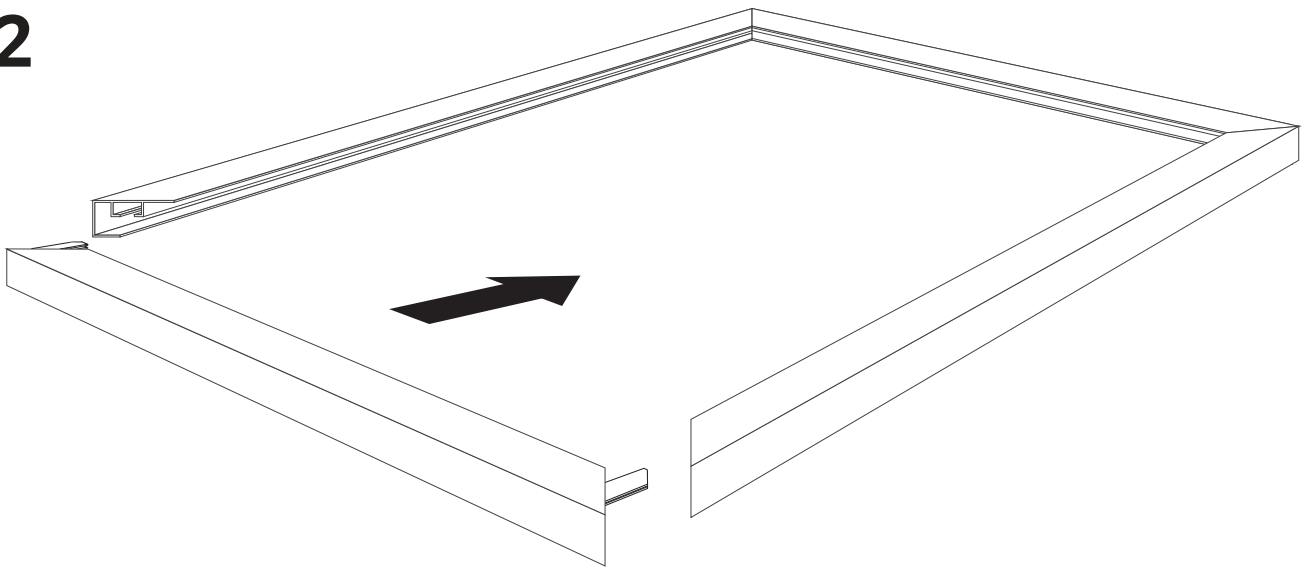


FK-0210

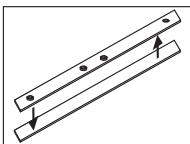
PANEL HANGING 18



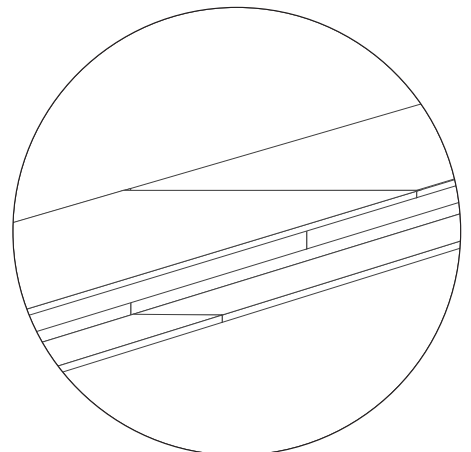
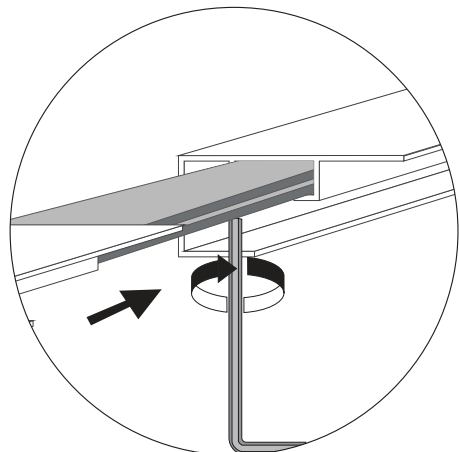
2



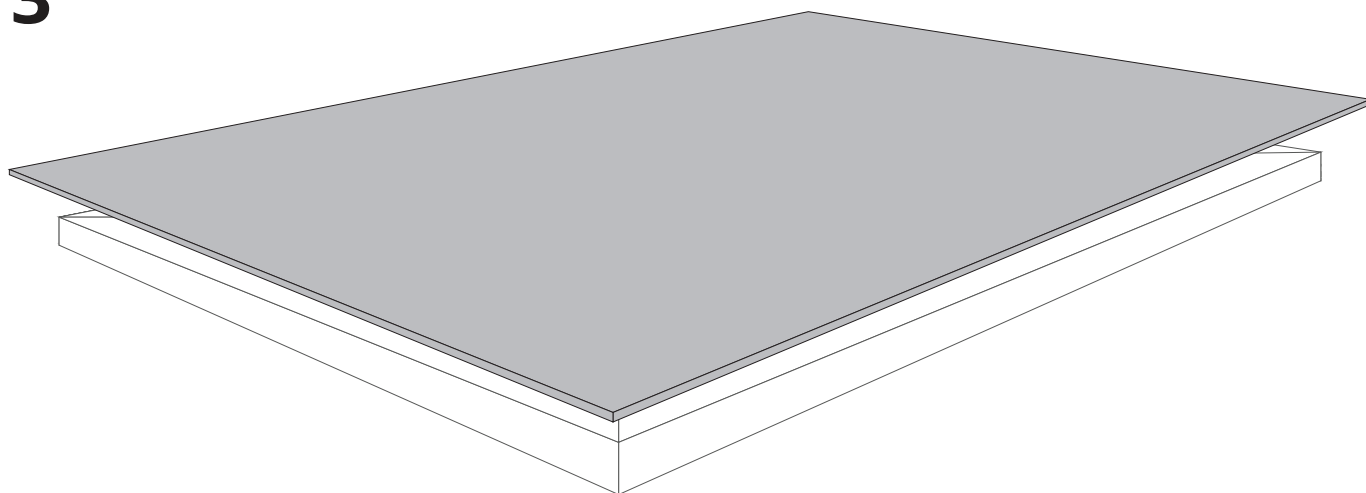
OPTION FOR EXTENSION



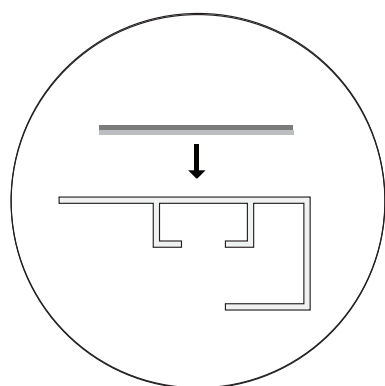
FK-0510



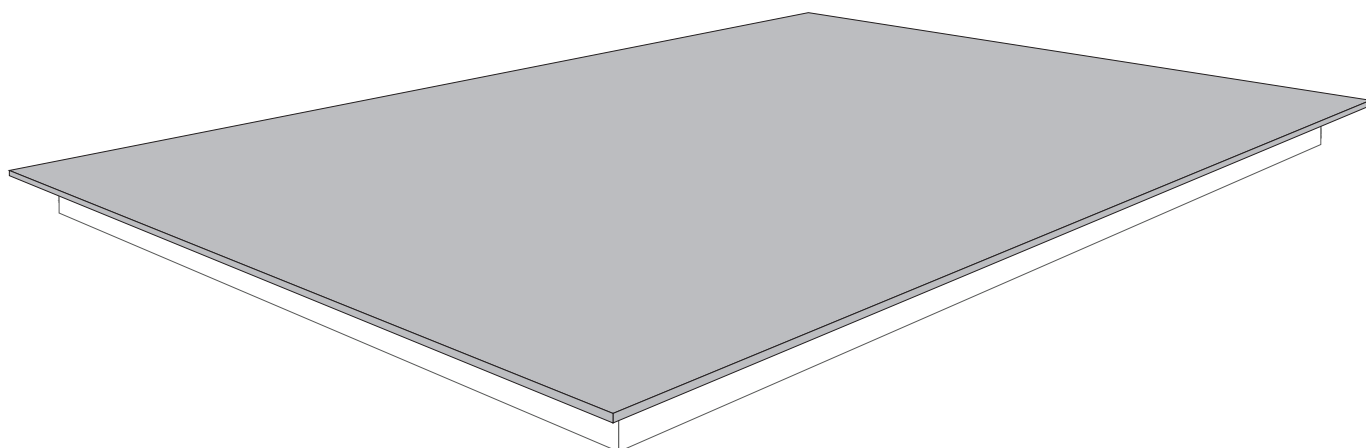
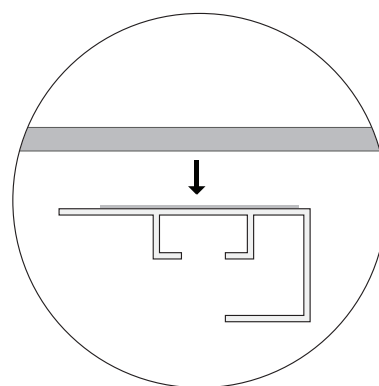
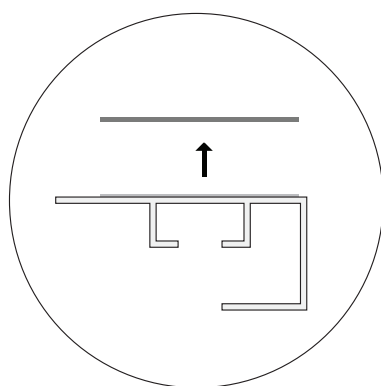
3



PRINT: WITH DOUBLE-SIDED TAPE

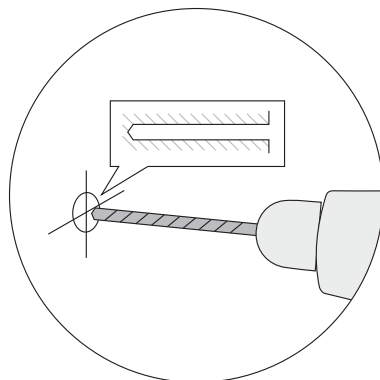
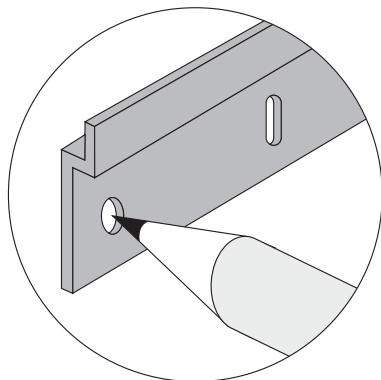
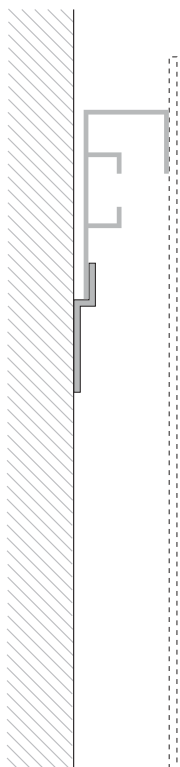


FK-8815/FK-8830



3

WALL MOUNTING



FK-8020/FK-8050/FK-8120

